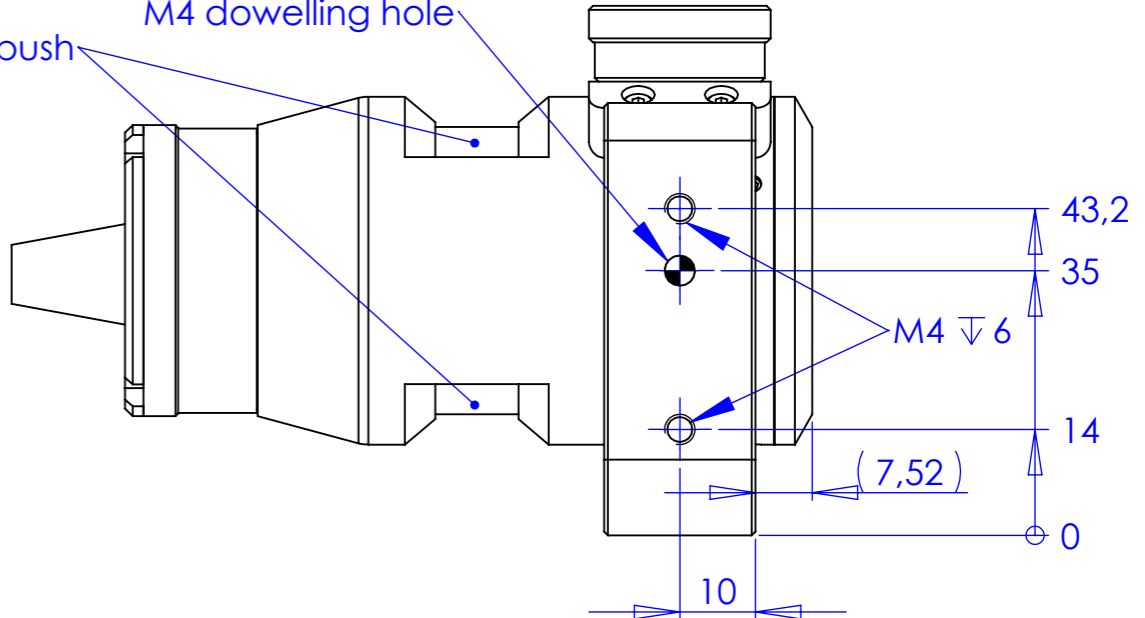


1:2

$\oplus 0.1$

Condenser focusing bush

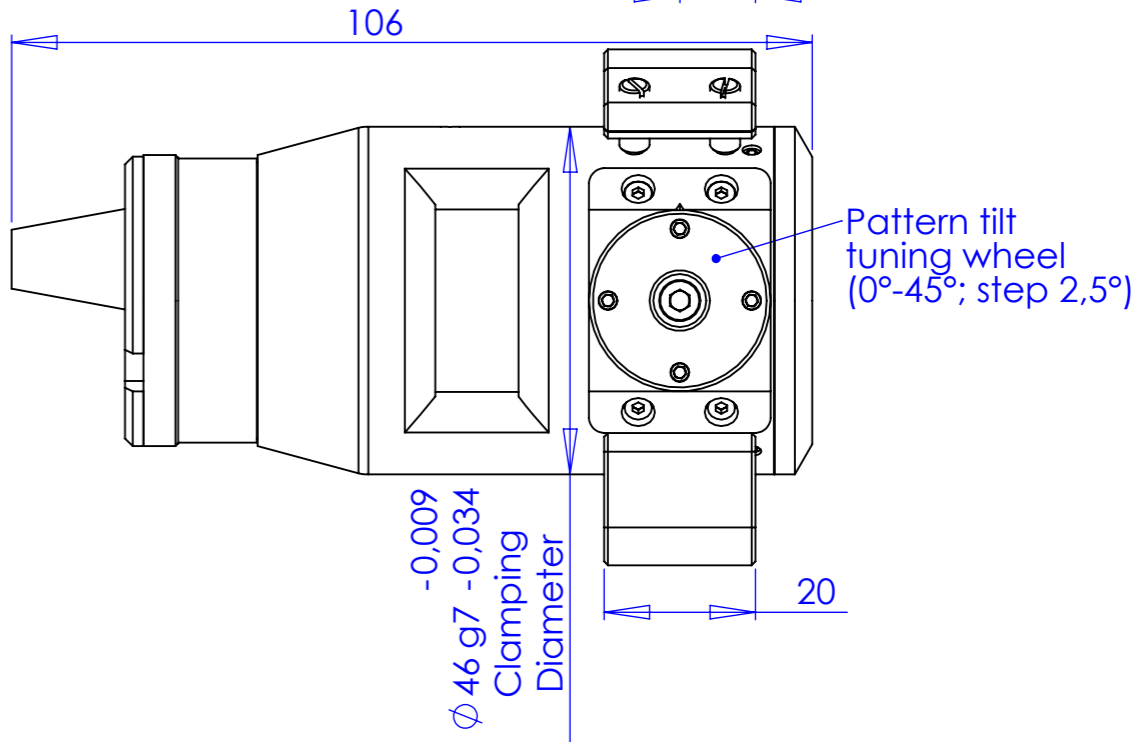
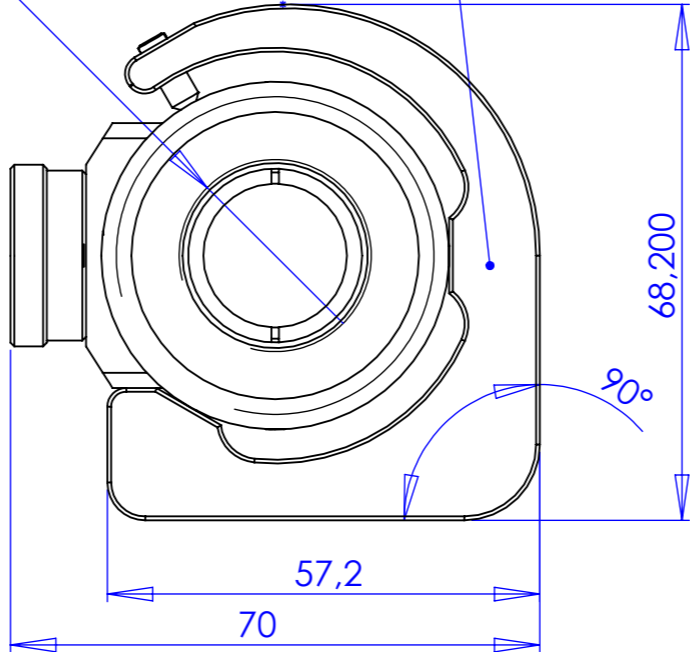
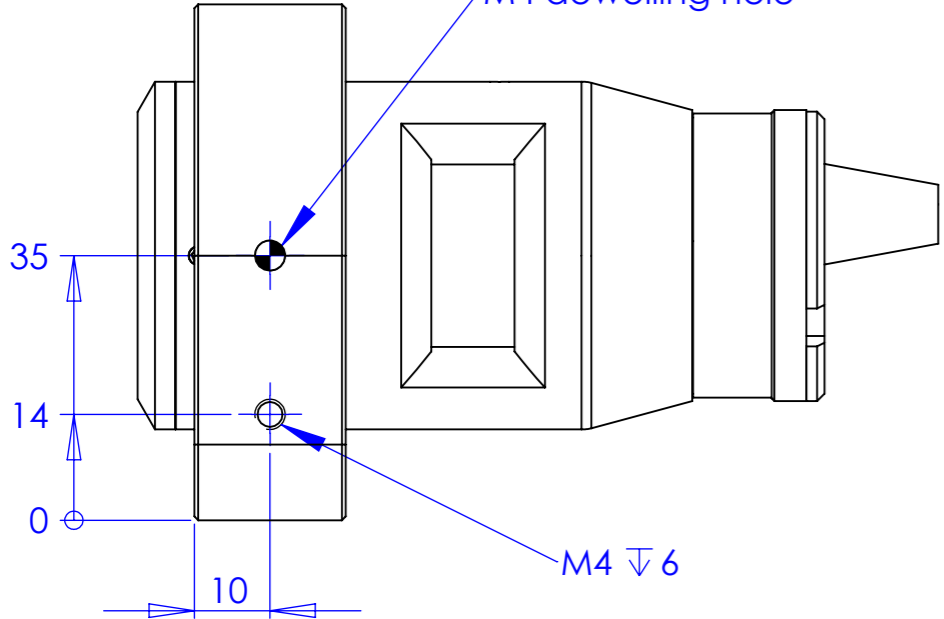
M4 dowelling hole



Clamping mechanic

C-mount

M4 dowelling hole



Pattern tilt tuning wheel (0°-45°; step 2,5°)

Material		N.A.		Mass		360 g		Scale		1:1	
Surface treatment		N.A.		Project-Prod.item/Instrument		LTPRSM		Description		Scheimpflug mount pattern projector	
Geometrical tolerance (ISO 2768-2)				Class	K	Undimensioned bevels	0.5x45°	Drawing No. 19621-0-A Sheet 1/1 <i>Reproduction forbidden without specific authorization</i>			
Linear tolerance (ISO 2768-2)				Class	m	Undimensioned radii	R 0.5				
0.5 ±3	>3÷ 6	>6÷ 30	>30÷ 120	>120 ±400	>400÷ 1000	>1000 ±2000	>2000 ±4000				
±0.1	±0.1	±0.2	±0.3	±0.5	±0.8	±1.2	±2	Date		Name	
		Designed		10/01/11		Date		Name		Drawing No.	
		Draw		10/01/11		Date		Name		Drawing No.	
		Checked		X		Date		Name		Drawing No.	
OPTO ENGINEERING S.r.l. - 46100 Mantova Italy - Via Cremona, 29/2 - Tel. +39 0376 263525 - e-mail: info@opto-engineering.com - http://www.opto-engineering.com											